

## PM2.5 Fresh Air Unit

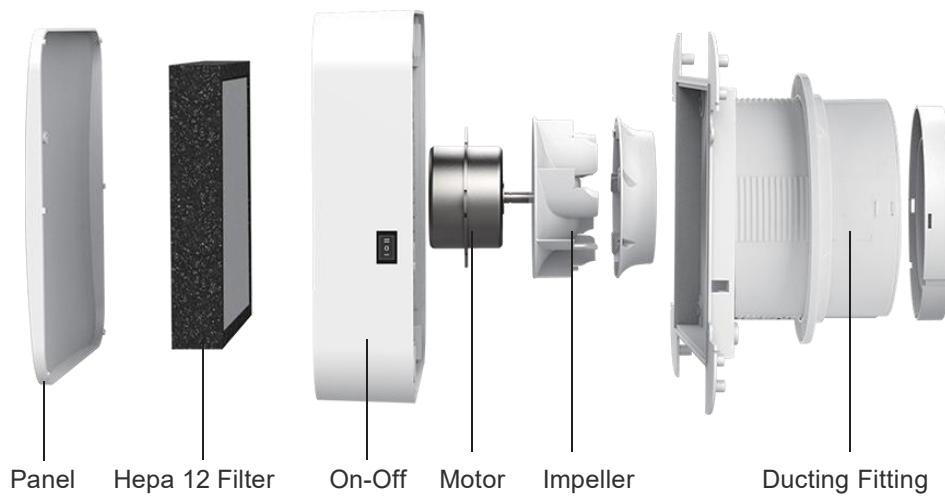


### Features

- DC brushless motor, makes low energy consumption up to 8W.
- **Panel lifting design to prevent air backflow.**
- **H12 grade HEPA filter captures 99.97% of airborne** pollutants, dust, mites, pet dander, pollen and other allergens as small as 0.3 microns.
- Double speed optional at 38/60 m3/h.
- Applying area at 25 square meters/225 square feet.

Fresh Air Unit , designed for bedroom helping clean indoor air especially capture airborne particle, bacterial and pollen etc.

### Product Structure



### Product Specification

<b>Model</b>	KC-PMO6HB1
<b>Volatage</b>	220V
<b>Noise</b>	20-30dB
<b>Air Volume</b>	60m <sup>3</sup> /h
<b>Power</b>	8W
<b>N.W.</b>	2.6kg
<b>Size</b>	260*260*80mm

Unit: mm

